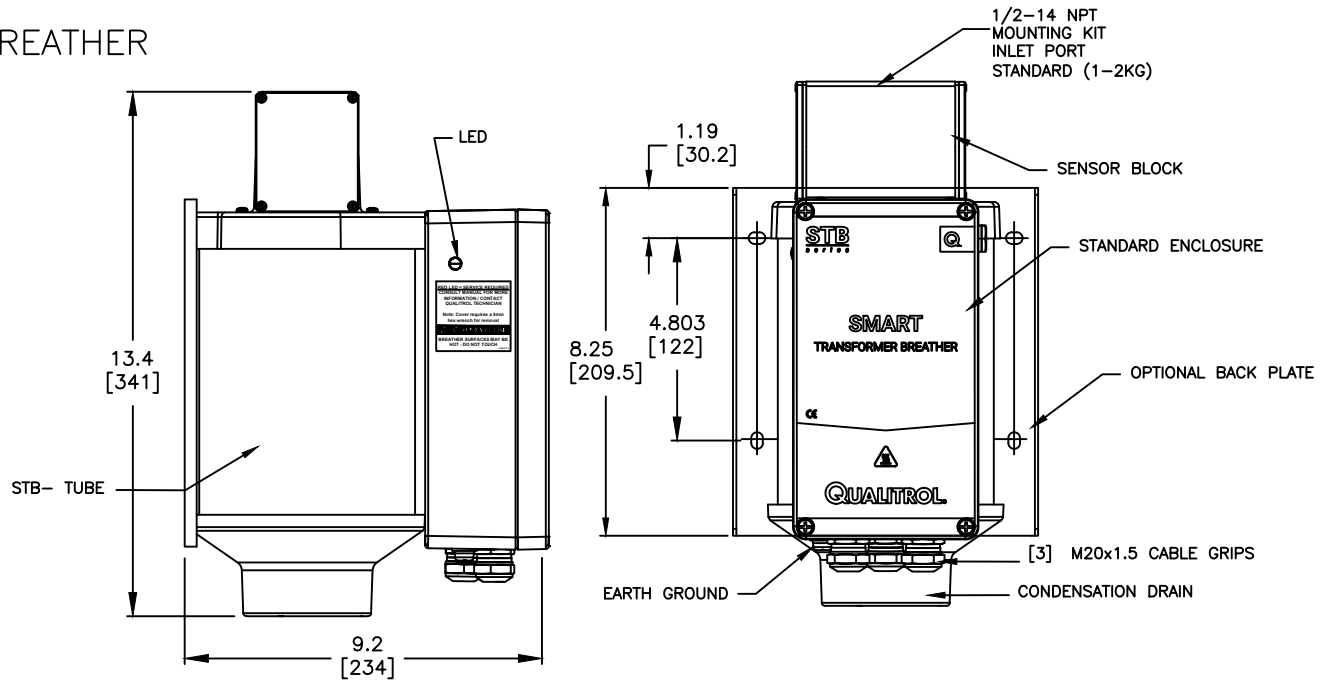
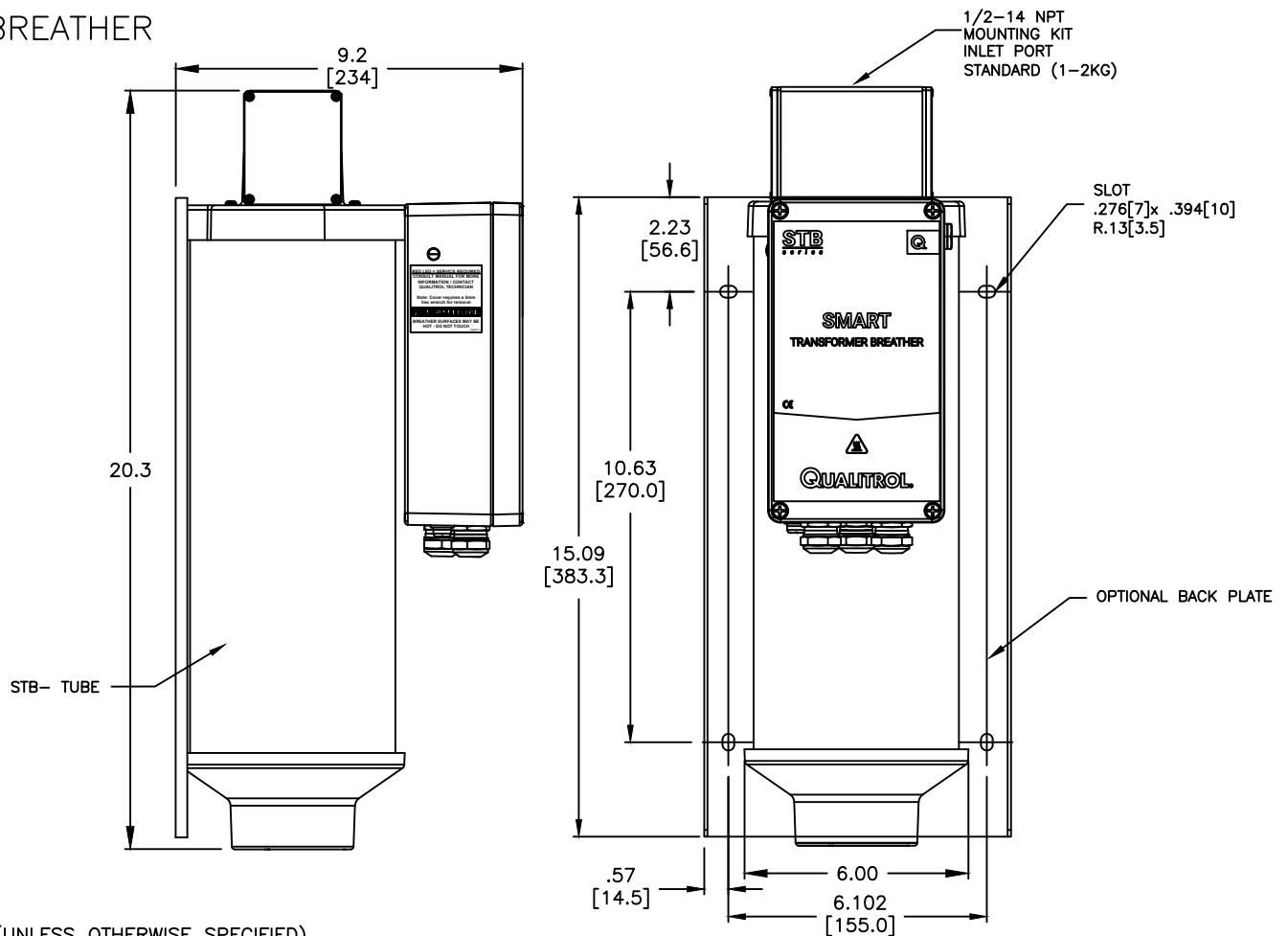




1KG BREATHER



2KG BREATHER



NOTES: (UNLESS OTHERWISE SPECIFIED)

1. DIMENSIONS ARE FOR REFERENCE AND SHOWN IN INCHES [MILLIMETERS].
2. ENCLOSURE, BASE & SENSOR: ALUMINUM/ S.S.
3. INSULATION TEST: 1000 VOLTS TO GROUND FOR 60 SECONDS.



### Customer Name & Reference:

#### Size

- 1 Kilogram (< 8,000 gal. of tank oil)
- 2 Kilogram (< 18,000 gal. of tank oil)

#### Application

- Main Tank and LTC (Universal)
- LTC only

#### Environment Conditions

- Standard Unit (-40°C)
- Polar Execution (-60°C)

#### Finish

- Standard C5M Paint
- Offshore version in stainless steel available upon request

#### Tube

- Polycarbonate
- Glass

#### Additional Features

- None
- Communications (Modbus-RS485 + Analog current loop)
- Data Logger

#### Mounting/ Connection Style

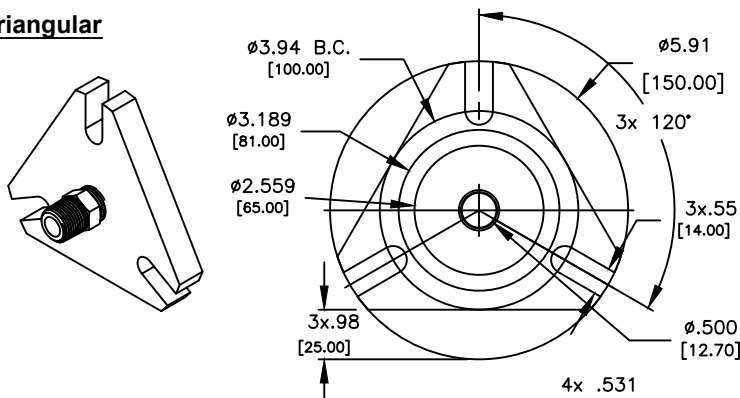
- Triangular
- Round flange 2.95[75] B.C
- Round flange 3.35[85] B.C
- Flex Hose 1/2NPT (80 inches) [2 meter]
- G 3/4 mounting adapter

#### Mounting Plate Option

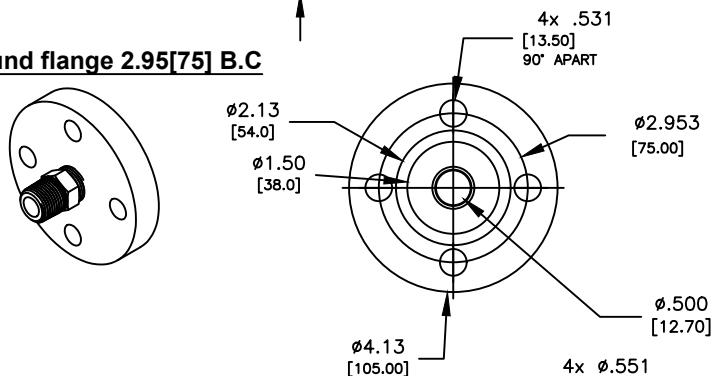
- Yes
- No

## MOUNTING STYLES

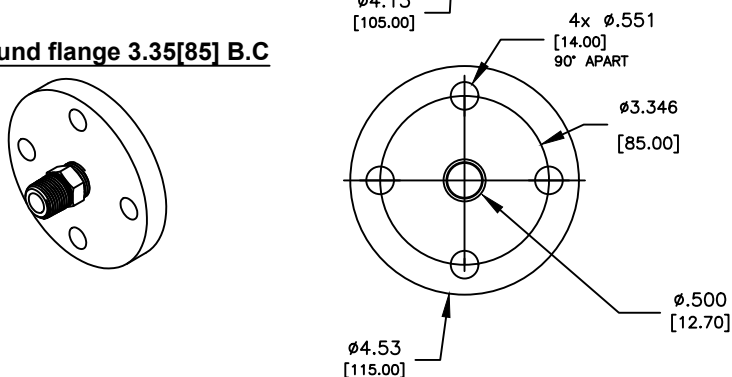
### Triangular



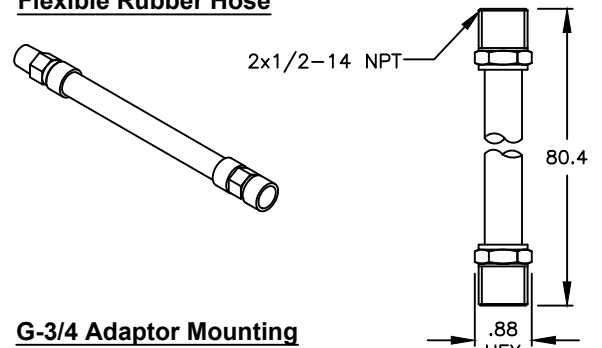
### Round flange 2.95[75] B.C



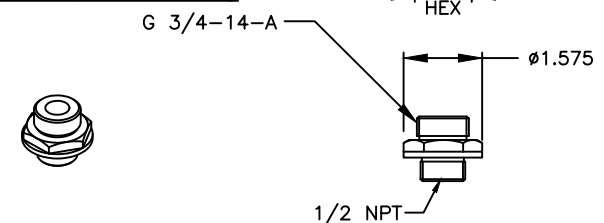
### Round flange 3.35[85] B.C



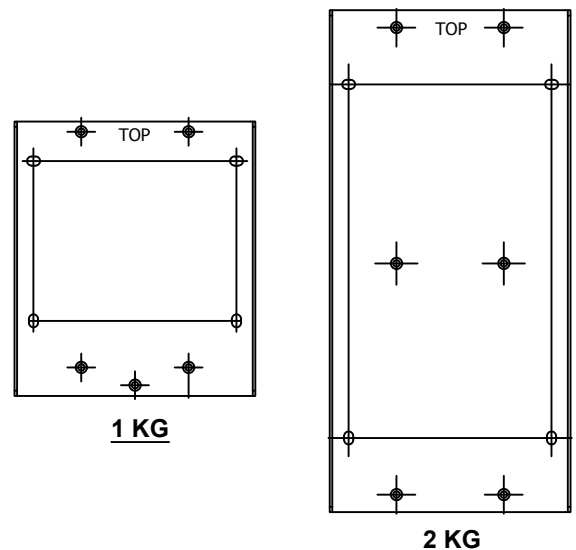
### Flexible Rubber Hose



### G-3/4 Adaptor Mounting



## MOUNTING PLATE



#### NOTES: (UNLESS OTHERWISE SPECIFIED)

1. DIMENSIONS ARE FOR REFERENCE AND SHOWN IN INCHES [MILLIMETERS].
2. DRAWINGS ARE SHOWN FOR ILLUSTRATION ONLY (NOT TO SCALE).
3. COMMUNICATIONS INCLUDES RS485 AND SCADA OUTPUT(CURRENT LOOP).
4. FLEX HOSE INCLUDES BACK PLATE