

QUALITROL® 049

Vertical oil level switches



Rugged design for reliable level indication

- Added transformer protection with limit and alarm control functions
- Optional kit allows gas sampling for analysis

Product Summary

Description Provides continuous indication of the liquid level within an oil filled transformer's main tank, conservator tank or load tap changer compartment. Integrated switches allow limit and alarm functions.

Application For top mounted applications on hermetically sealed vessels requiring liquid level indication with alarm settings.



QUALITROL®
Defining Reliability



Rugged design for reliable level indication

- Permanent internal waterproof seal for leak protection with protective display cover
- Corrosion resistant materials provide long, trouble-free life
- Float and indication assemblies are magnetically coupled for easy replacement of indicator if damaged
- Vented enclosure meets IP54 requirements

Added protection of limit and alarm control functions

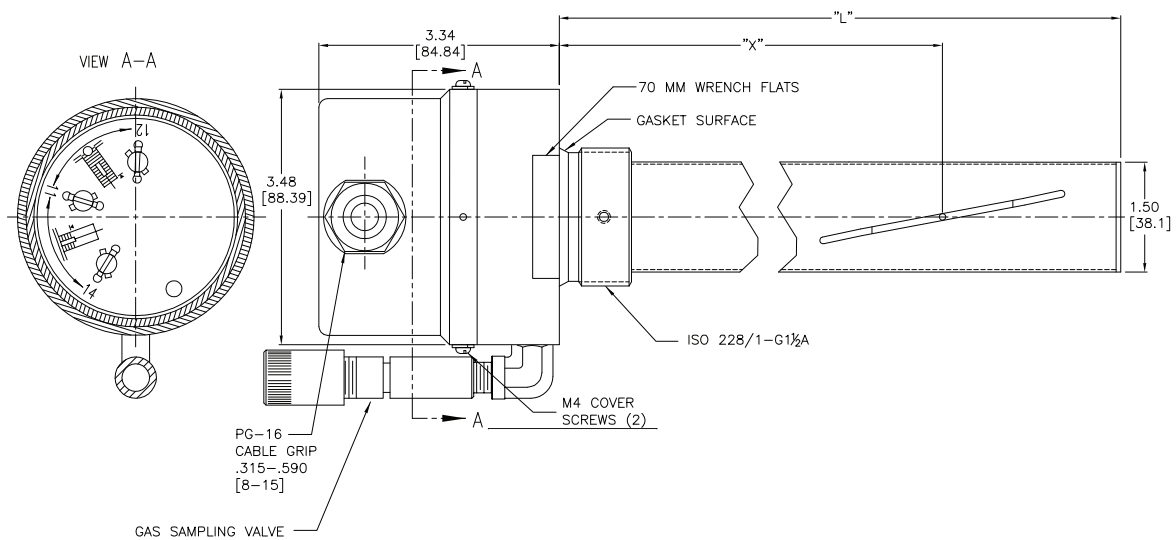
- Integrated snap switch allows for setting an alarm signaling specified oil level
- Single pole double throw switch is UL and CSA approved

Optional kit allows gas sampling for analysis

- KIT-008-1 gas sampling kit is available to easily obtain samples for analysis
- Kit consists of a manifold with shut-offs, a vacuum pump, a stopcock with tubing and a wrench to access the port on the 049

TECHNICAL SPECIFICATIONS

Mechanical	Mounting	R-1½ Male Thread (DIN 259), vertical installation only
	Float material	Nitrophenyl
	Connection	PG-16 female thread (DIN 40430), cover is capable of 360° rotation
Environmental	Ambient operating temperature	-40°F to 131°F (-40°C to 55°C)
	Oil temperature range	32°F to 212°F (0°C to 100°C).
	Ambient humidity	35% to 100%
Electrical	Switch rating	5A @ 125/250 VAC
	Dielectric strength	2000 VAC between individual switch contacts and ground for 60s
	Switch	One SPDT snap-action switch (UL listed and CSA approved)



©2008 QUALITROL® Company LLC, an ISO 9001 system certified company. All rights reserved. Information subject to change without notice. All trademarks are properties of their respective companies, as noted herein. AP-L17-03L-01E.